



### Specification

Model	AH-0217
Operating Contact	6A 125/250VAC
Resistance	30mΩ
Ambient Temperature	- 25°C ~ +85°C
Dimensions	88mm(H) x 88mm(W) x 52mm(D)
Weight	About 165g

### Features

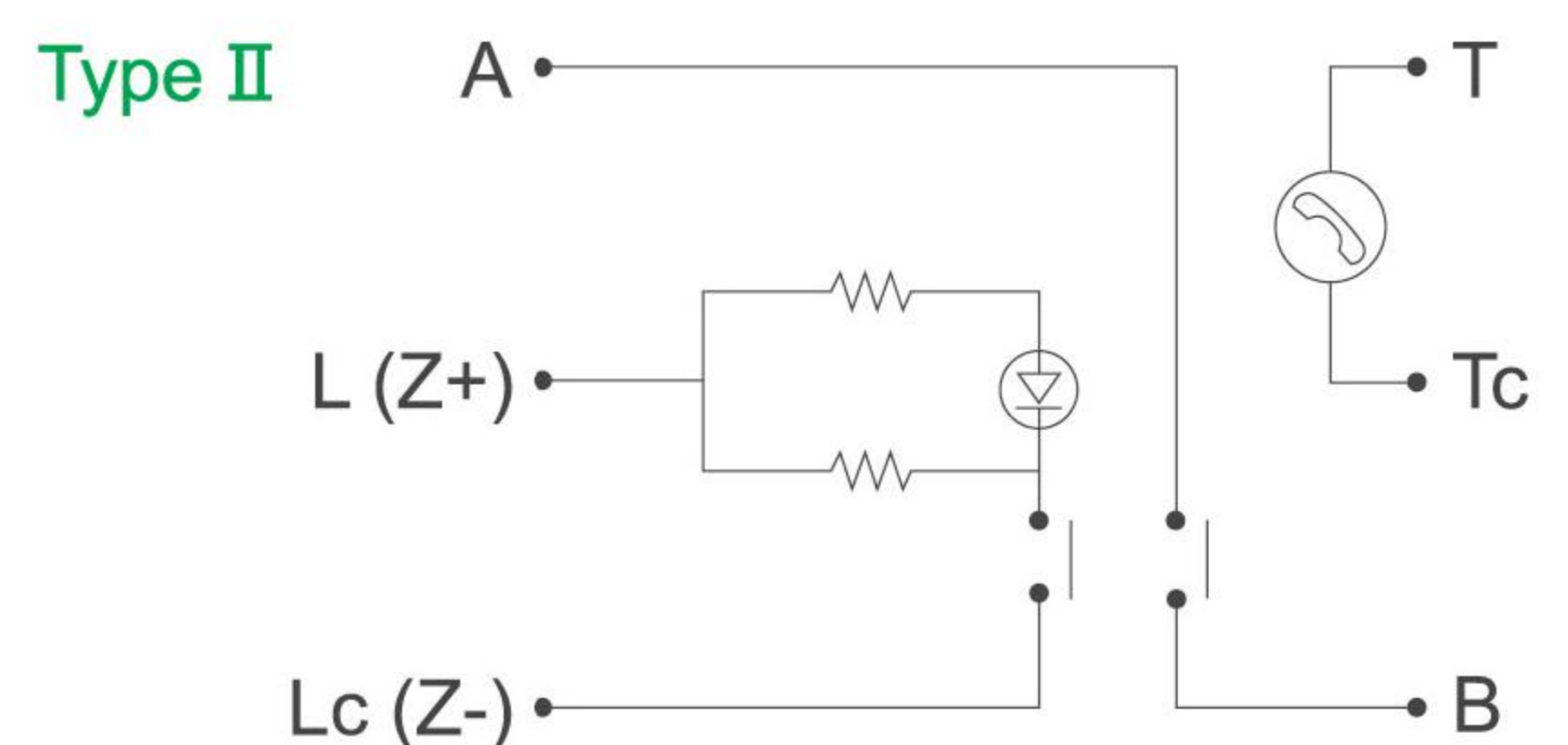
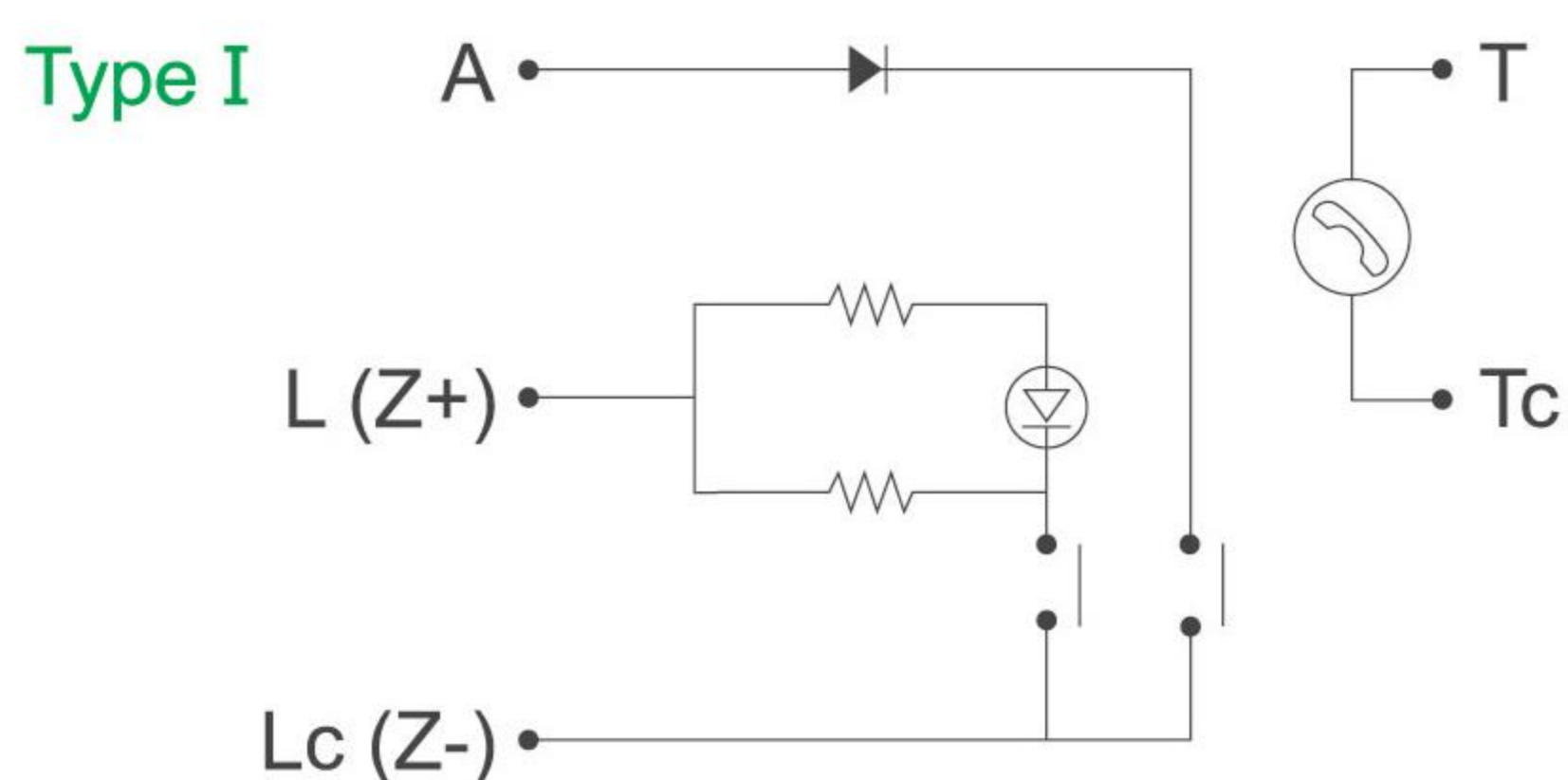
- Available for flush or surface mounting.
- Plastic film on glass.
- Test key inserted from bottom.
- Open circuit with series resistor.
- Suitable for the majority of conventional fire alarm system.
- Clear protection cover is also available (optional).
- Choice of red, yellow, blue or green finish also available for custom-made.

### Specification

Model	AH-9717
Operating Power	24V DC 30mA
Operating Contact	Max. 30V DC 500mA
Sub-function	Phone jack, confirmation lamp, reset button.
Material	Fire-proof plastic
Dimensions	140mm(Dia.) x 45mm(H)
Weight	About 160g

### Features

- Emergency press alarm, immediately output fire alarm signal.
- Indicator above fire alarm push-button is to confirm the alarm signal transfer.
- There are phone jack and reset button behind the cover cap.
- Type I is simultaneous dual loop, Type II is simultaneous dual signal transfer (refer to diagram below)
- Optional Base is Available.



220V AC 0.4A  
24V DC 0.8A