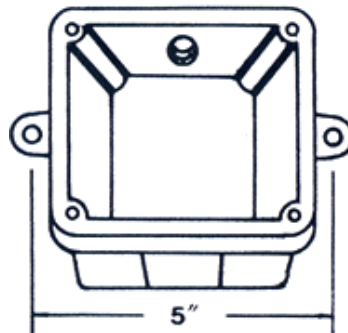
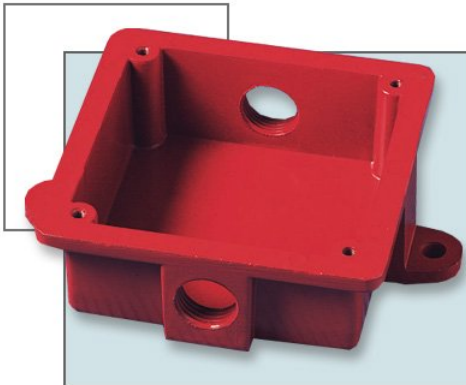


Fire alarm bell

Model No	Adopted voltage	Adopted current	Volume at 1meter	Driving way	Size and weight
HC-1006	DC-6V	250mA	96db	Coil	6" 150mm 1kg
HC-1012	DC-12V	180mA		Coil	
HC-1024	DC-24V	100mA		Coil	
HC-1120	AC-120V	25mA	97db	Coil	8" 200mm 1.2kg
HC-1220	AC-220V	20mA		Coil	
HC-612B	DC-12V	35mA	96db	Motor	10" 250mm 1.5kg
HC-624B	DC-24V	20mA		Motor	



Back Box



Inlet	Thread
1 hole	NPT 1/2"
2 holes	
1 hole	METRIC 20 mm
2 holes	