

Fire Alarm Bell

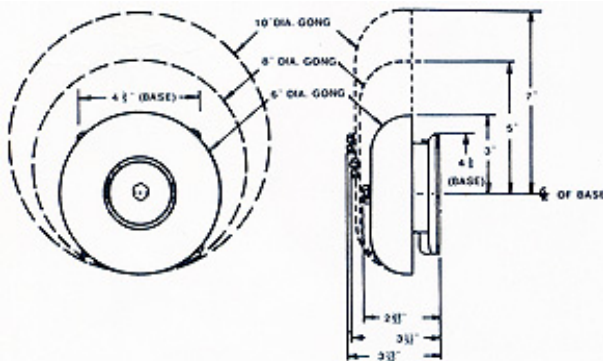


- ◇ **UL APPROVED**
- ◇ **HIGH dbA OUTPUT**
- ◇ **LOW POWER CONSUMPTION**
- ◇ **AVAILABLE IN 6" ,8" ,10" HOUSING**
- ◇ **QUICKLY AND EASILY INSTALLED**

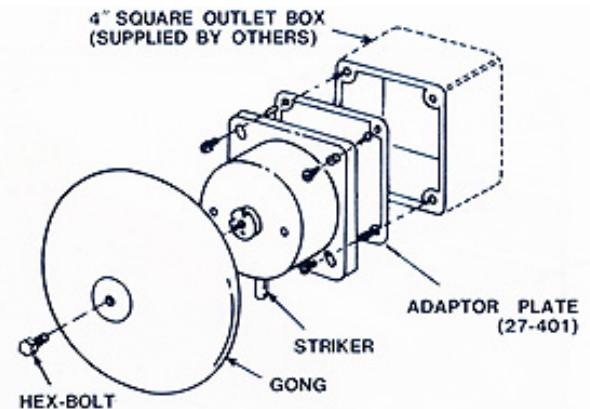
INSTALLATION NOTE /

- 1.Remove the gong.
- 2.Wire the bell in the circuit.
- 3.Mount bell mechanism on 4" square standard outlet box with the striker facing down.
- 4.Remove a gong.
- 5.The bell must be mounted a minimum of 8ft., above the floor, or, as close to the ceiling as possible.
- 6.Polarized bell provides Red(+) and Black(-) lead wires. When you install the bell, must be observed the polarity.

BASIC MECHANISM AND GONGS /



SEMI-FLUSH INSTALLATION /



SPECIFICATION

FIRE ALARM BELL	RATED	6" CONG SIZE HC-624B		8" CONG SIZE HC-824B		10" CONG SIZE HC-1024B	
	VOLTAGE	Rated Current	Sound level AT 10 FT db	Rated Current	Sound level AT 10 FT db	Rated Current	Sound level AT 10 FT db
MOTOR	24VDC	20mA	95	20mA	83	20mA	85